

Case Study

Industrial Energy Efficiency

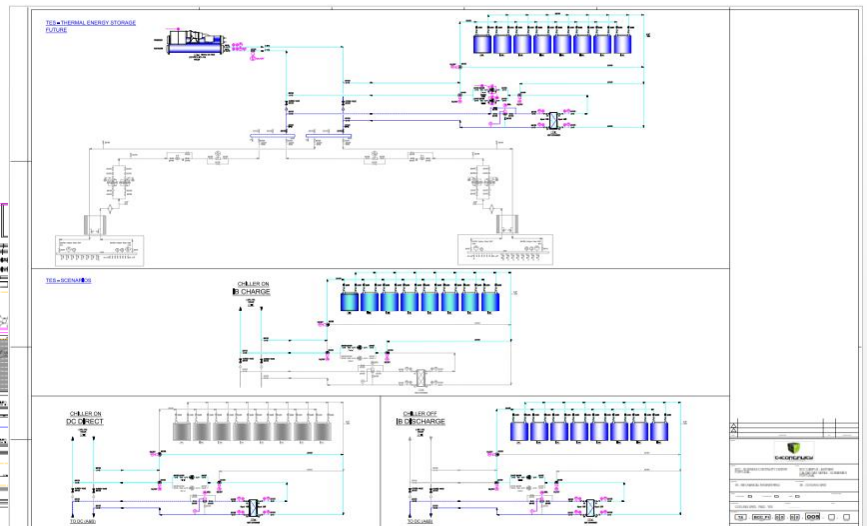
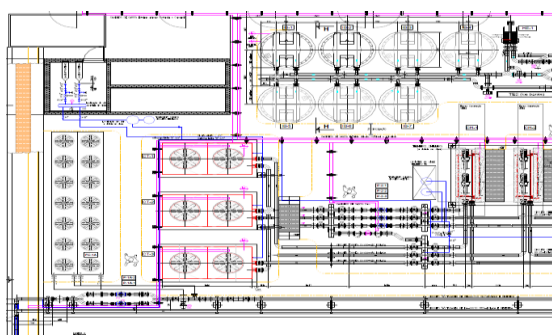
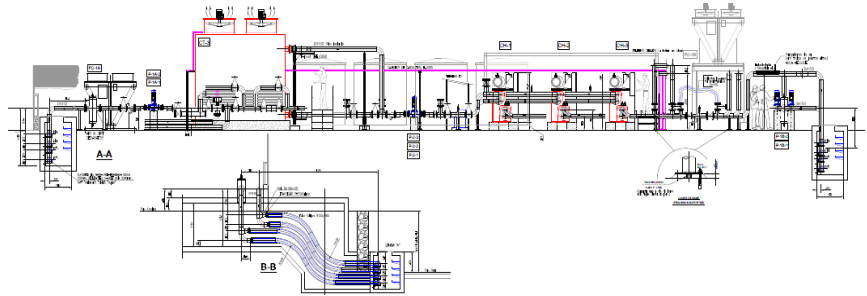
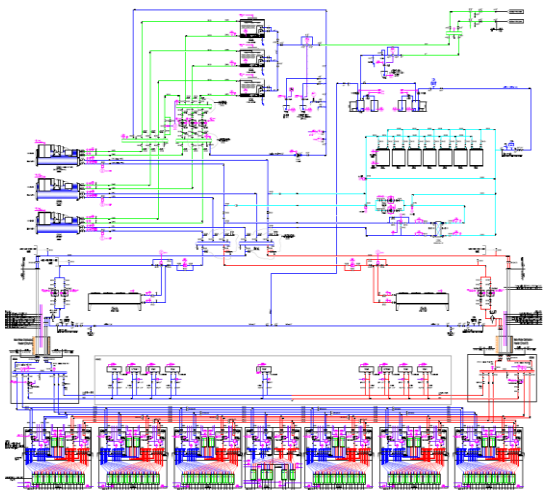
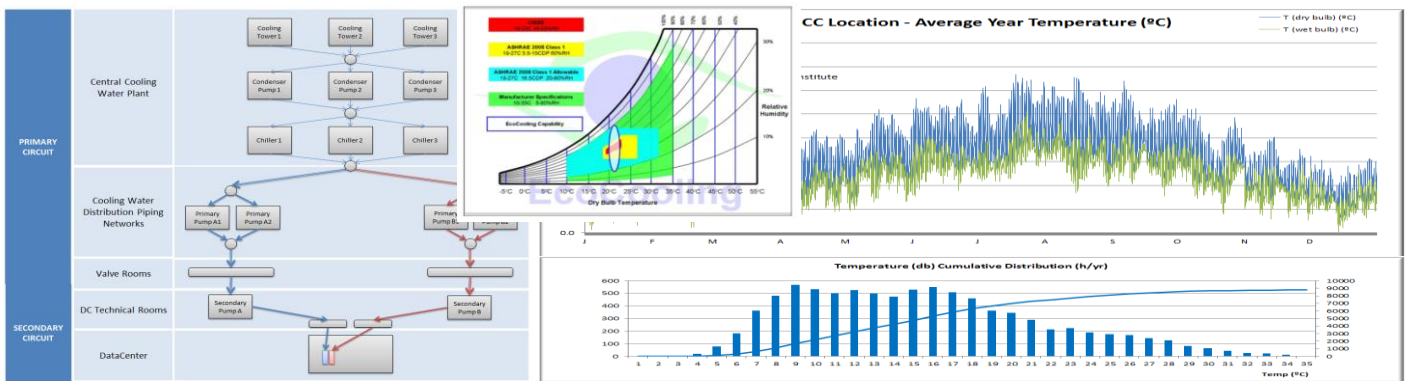


Sector:	<input checked="" type="checkbox"/> Industry	<input type="checkbox"/> Large Buildings	<input type="checkbox"/> Infraestrutures	<input type="checkbox"/> Small buildings / residential
Subsector:	Data Centers			Year: 2012
Client:	Avepark - T4 BCC Business Continuity Center			Implementation (months): N/A
Location:	Guimarães, Portugal			Performance Contract (years): N/A
Type of Contract:	Services - Preliminary and Detail Design - High Efficiency Coling System for a 500kW Data Center (Tier 4, Uptime Institute)			

Project description:

A EWEN designed the cooling system for a new Data Center (IT Power 500kW), for Avepark (Guimarães, Northern Portugal). The Data Center was designed according to the stringent demands of the Uptime Institute, to achieve Tier 4 level (only DC in Portugal designed for Tier 4).

Designed for high energy efficiency, as well as a very high redundancy level for all the critical systems. The system also included a ice-based TES (Thermal Energy Storage) System , for "Peak Shaving" and as thermal energy reserve.



Modelo: MP071_v03_CS016